

RON DIER DESIGN *rd*



LUCCA CHANDELIER 3 BARS

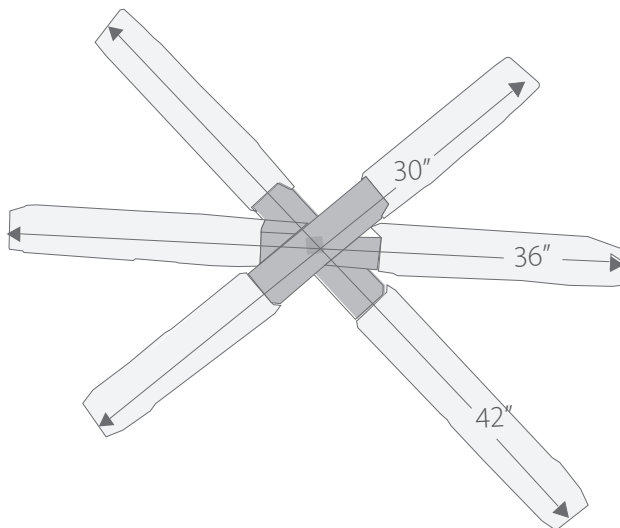
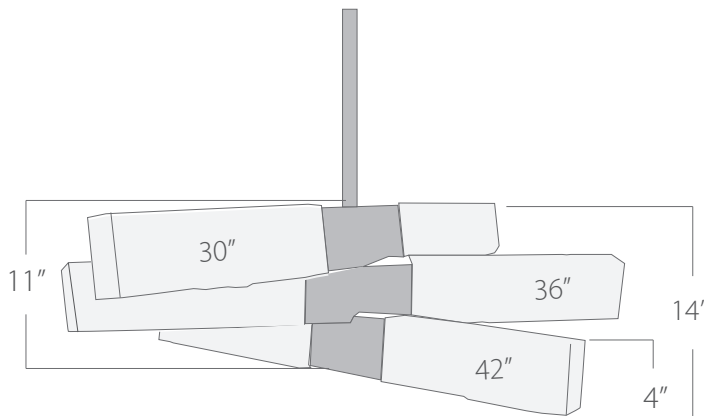
Chiseled selenite on acrylic bar.
Shown 42" x 30" x 14"H, 85 LBS
Custom sizes available

HANGING OPTIONS

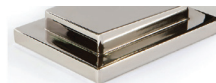
Standard with a 36" rod
Adjustable overall drop

ELECTRICAL

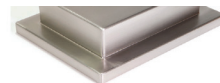
12V. DC, 9.6W/m 3528,
120 LEDs/m, 3000K, IP20
Transformer located in canopy
UL available with additional fee
*Change in lamping will be
subject to upcharge



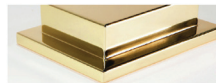
FINISH OPTION



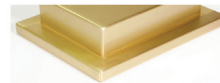
Polished Nickel



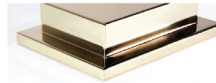
Satin Nickel



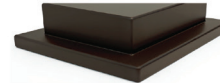
Polished Brass



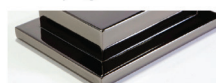
Satin Brass



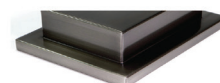
Champagne



Bronze Powder Coat



Polished Black Nickel



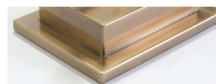
Satin Black Nickel



Polished Gold



Satin Gold



Burnish Brass



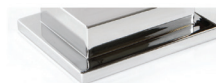
Oil Rubbed Bronze



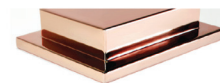
Espresso Powder Coat



Black Powder Coat



Chrome



Rose Gold